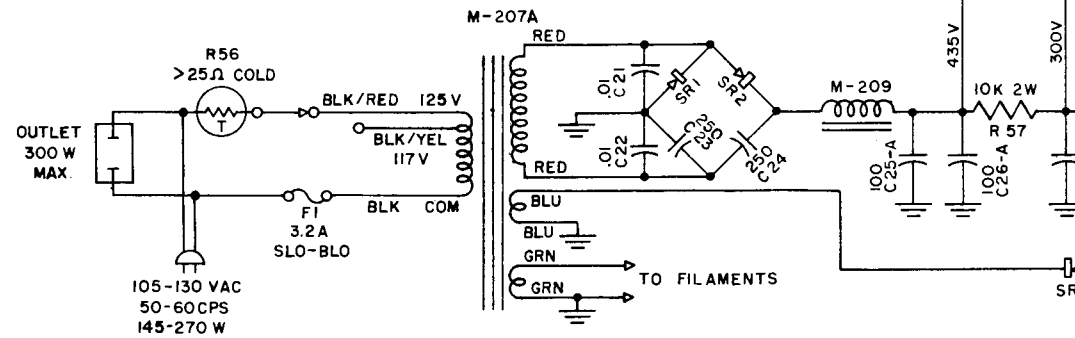
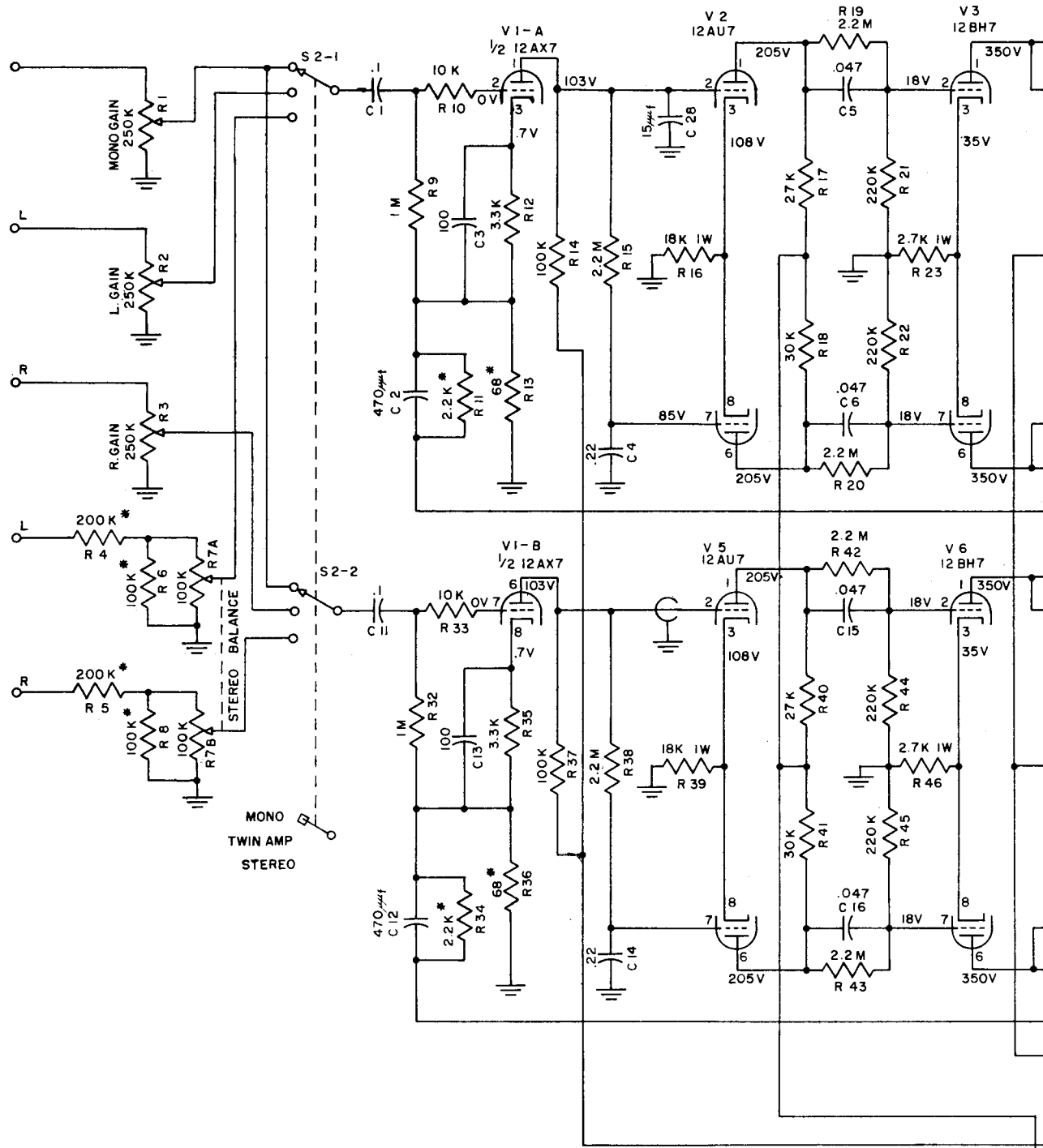


INPUTS  
MONO  
80 W  
AMP  
(.5V SENS.)

INPUTS  
DUAL  
40 W  
AMP  
(.5V SENS.)

INPUTS  
STEREO  
40-40W  
AMP  
(2 V SENS.)



OUTLET  
300 W  
MAX.

R56  
>25Ω COLD

105-130 VAC  
50-60CPS  
145-270 W

M-207A

RED

RED

BLU

BLU

GRN

GRN

TO FILAMENTS

M-209

100 C25-A

100 C26-A

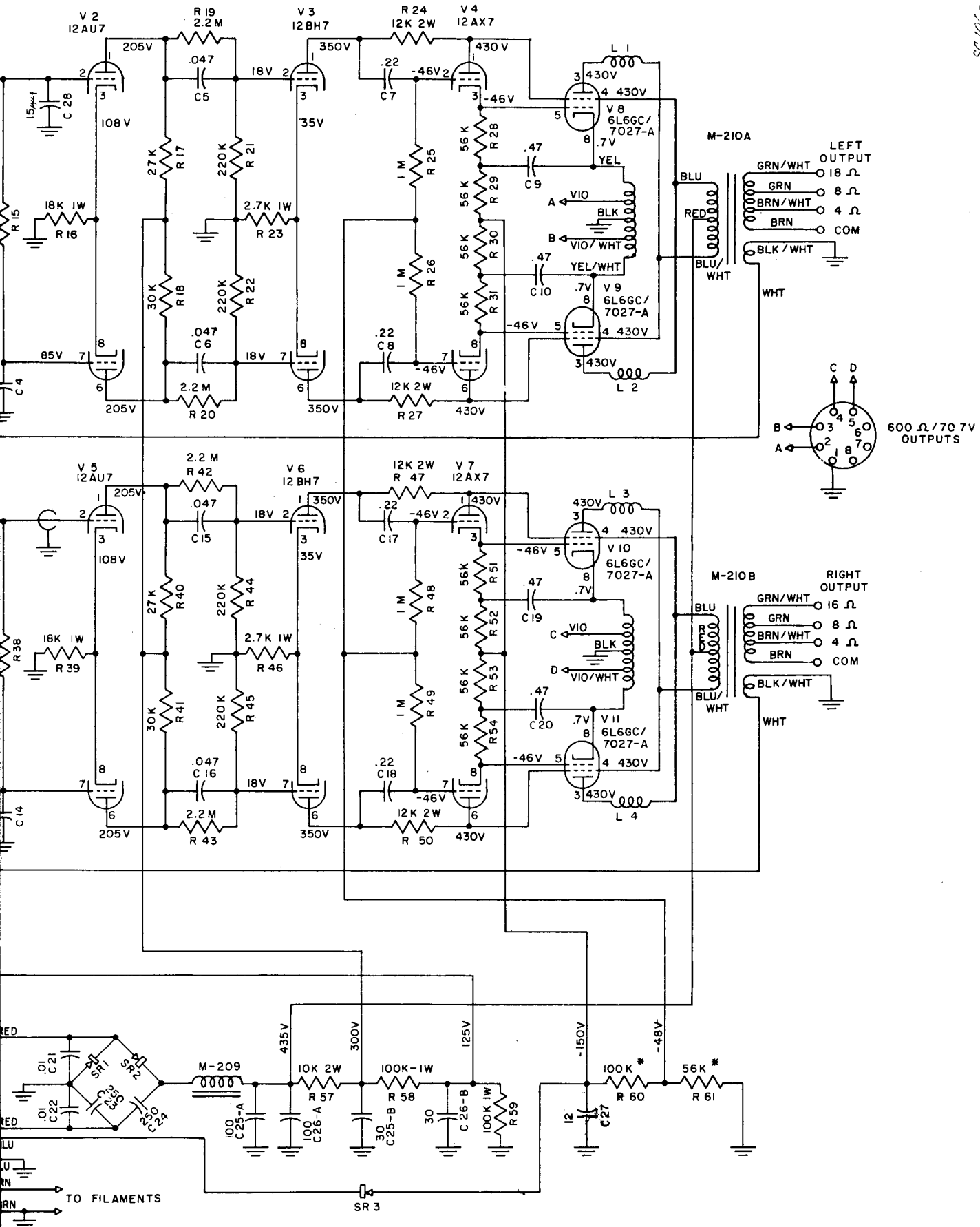
10K 2W R57

435V

300V

SR

SC 106-161F



STEREO PREAMP

PIN 1 - GND  
 PIN 2 - L  
 PIN 3 - R  
 PIN 4 - GND  
 PIN 5 - 3  
 PIN 6 - 2  
 PIN 7 - 1  
 PIN 8 - 4

600Ω / 70.7V

PIN 1 - GND  
 PINS 1 AND 2  
 PINS 1 AND 2  
 PINS 1 AND 2  
 PINS 4 AND 5

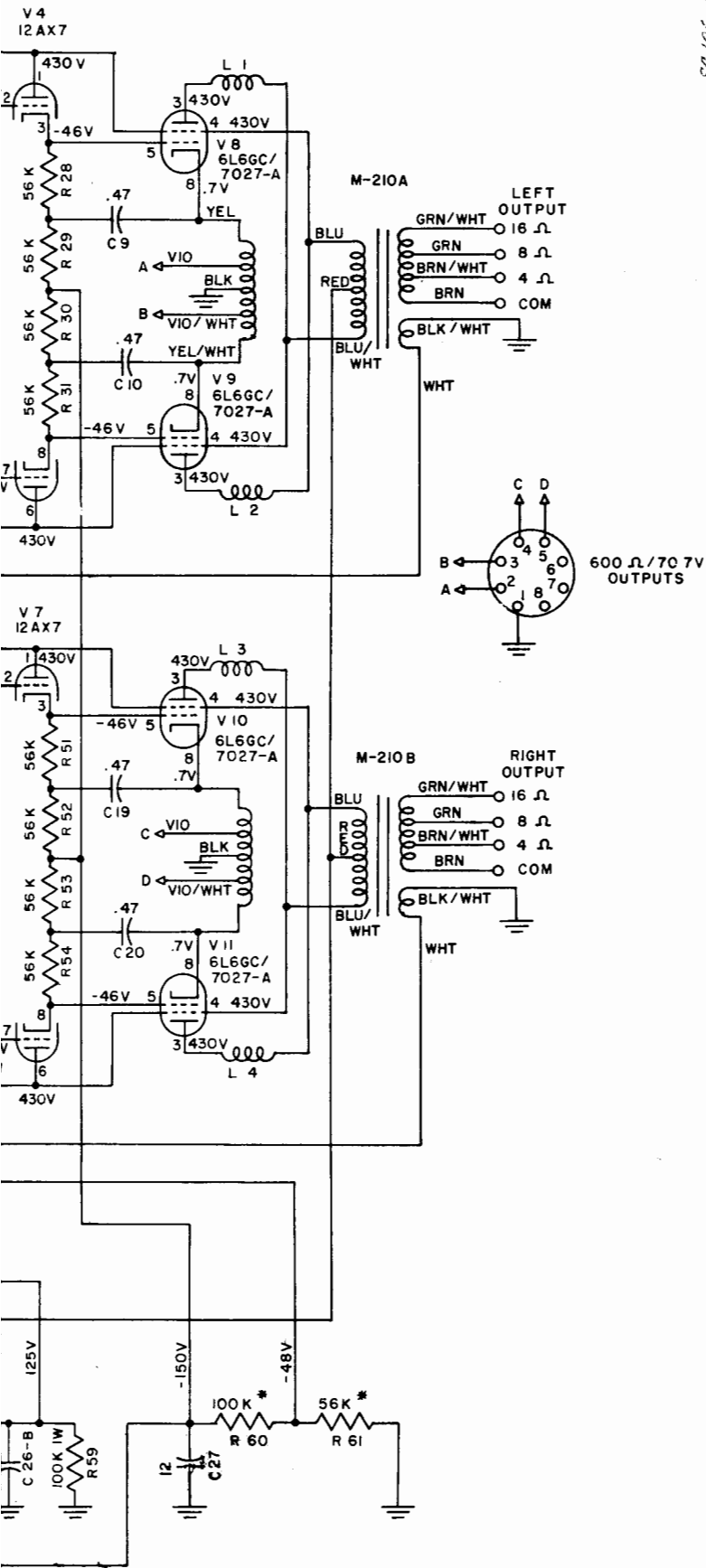
SINGLE CHANNEL

FOR SINGLE CHANNEL  
 PARALLEL  
 L AND R  
 DESIRED OUTPUTS

\* 5% TOLERANCE

FOLLOWING VALUES  
 MATCHED  
 R47 AND R50

SC 10E-161F



STEREO PREAMP POWER CONNECTIONS

- PIN 1 - GROUND
- PIN 2 - L INPUT
- PIN 3 - R INPUT
- PIN 4 - GROUND
- PIN 5 - 375 V DC AT 15MA
- PIN 6 - 25.2V AT 1.2A
- PIN 7 - 25.2V CENTER TAP
- PIN 8 - 25.2V AT 1.2A

600Ω/70.7V OUTPUT CONNECTIONS

- PIN 1 - GROUND, 70.7 V RETURN, AND 600 Ω C.T.
- PINS 1 AND 2 - LEFT 70.7 V OUTPUT
- PINS 2 AND 3 - LEFT 600 Ω OUTPUT
- PINS 1 AND 4 - RIGHT 70.7 V OUTPUT
- PINS 4 AND 5 - RIGHT 600 Ω OUTPUT

SINGLE CHANNEL (MONO) OUTPUT NOTE:

FOR SINGLE CHANNEL OUTPUT PARALLEL OR SERIES CONNECT THE L AND R OUTPUTS TO OBTAIN DESIRED OUTPUT IMPEDANCE.

\* 5% TOLERANCE RESISTORS

FOLLOWING COMPONENTS ARE MATCHED TO 1%: R24 AND R27, R47 AND R50, R13 AND R36, R11 AND R34.

REVISIONS			MUNICIPAL LABORATORY INC.		
NO	DATE	BY	BINGHAMTON, N.Y.		
1	9-26-60	TAR	SCHEMATIC, MC-240		
2	12-20-60	TAR			
3	1-3-61	TAR	DRAWN BY VG	SCALE	MATERIAL
4	6-30-61	TAR	CHK'D TAR	DATE 7.13.60	DRAWING NO.
5	1-24-61	TAR	TRACED	APP'D SAC	SCIO