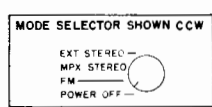


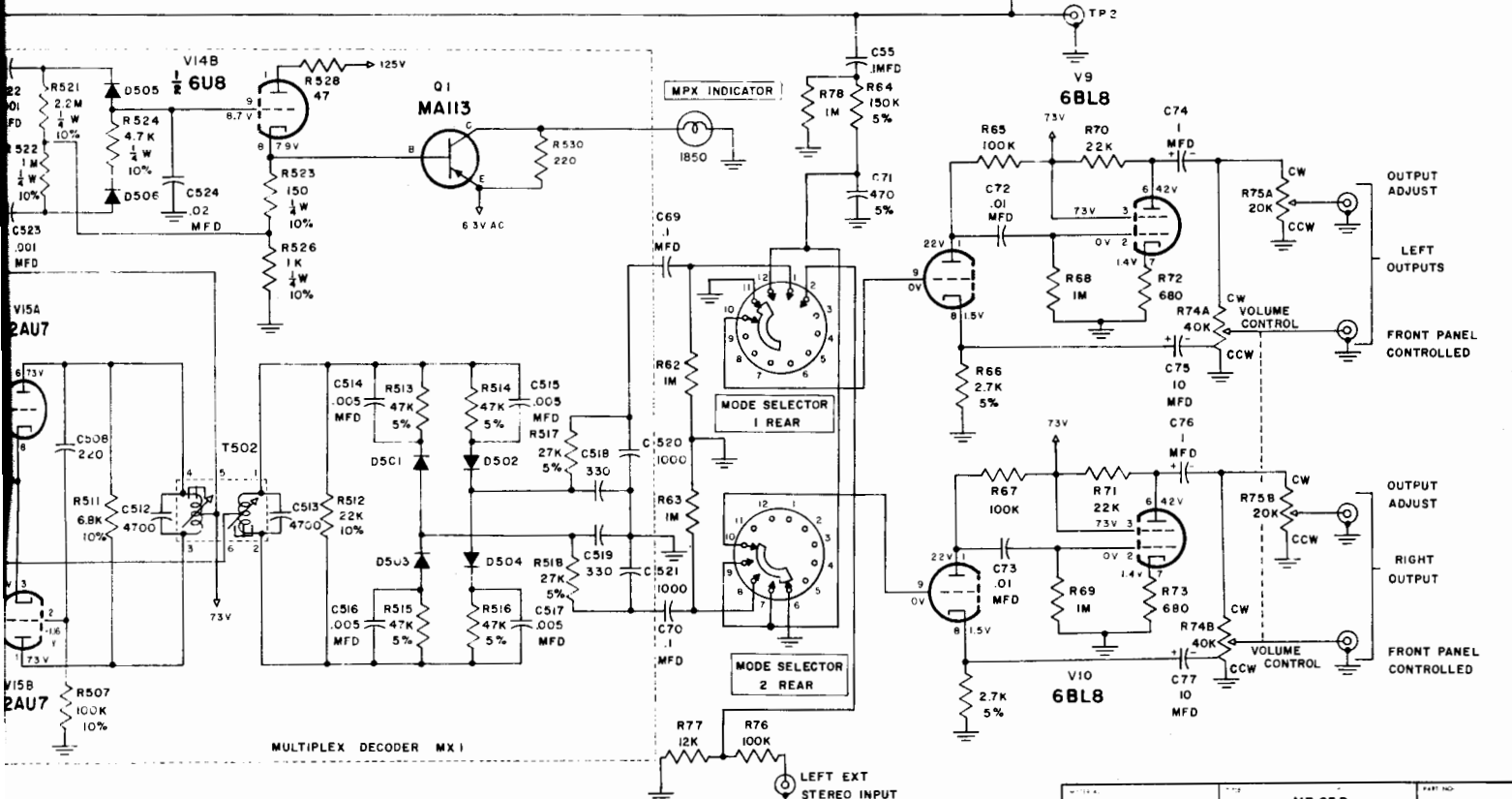
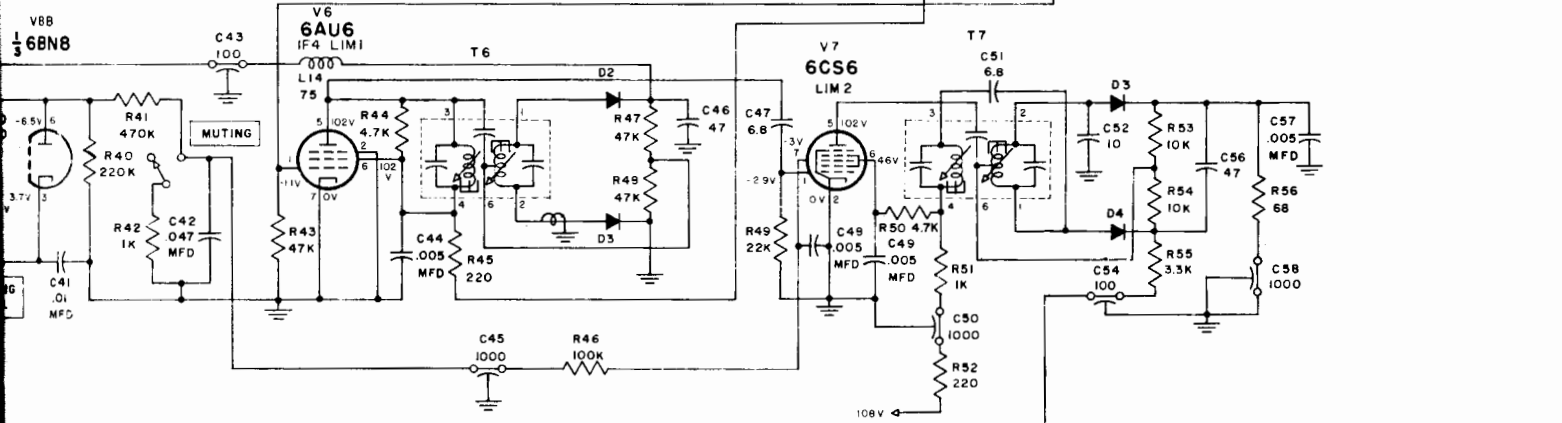
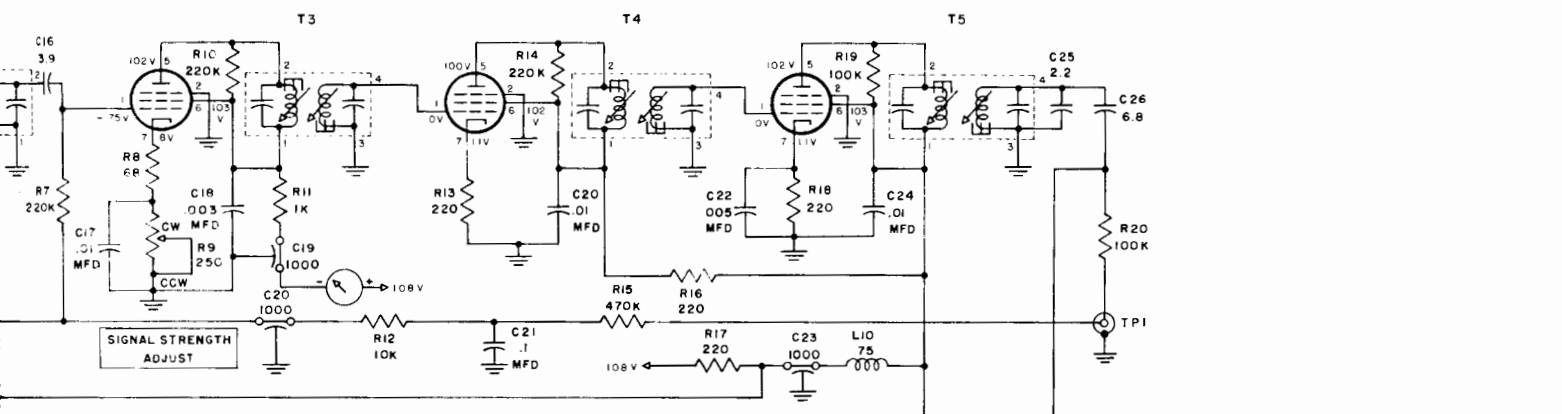
UNLESS OTHERWISE SPECIFIED
 ALL RESISTORS IN OHMS $\frac{1}{2}$ W 20%
 ALL CAPACITORS IN PICA FARADS
 ALL INDUCTANCES IN MILLIHENRIES



V3
6AU6
IF1
SS METER

V4
6AU6
IF2

V5
6AU6
IF3



MR 65B		PART NO.
McIntosh LABORATORY INC Rochester, N. Y.		
DESIGNED BY	A. D. C.	DATE 12.11.62
REVISED BY	BB	APP. JAC
FIG. NO.	SC 105-189	REV. A