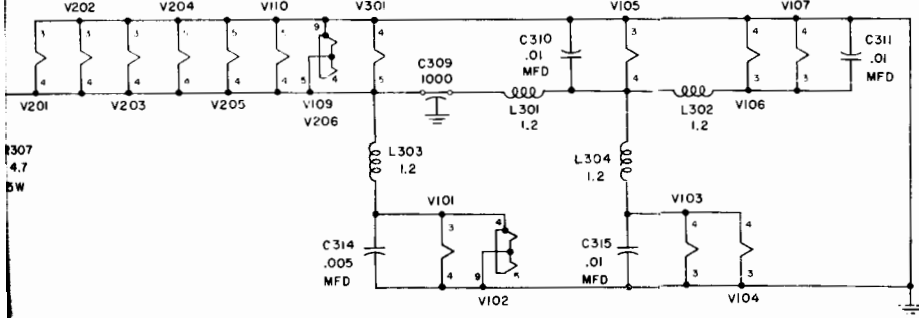
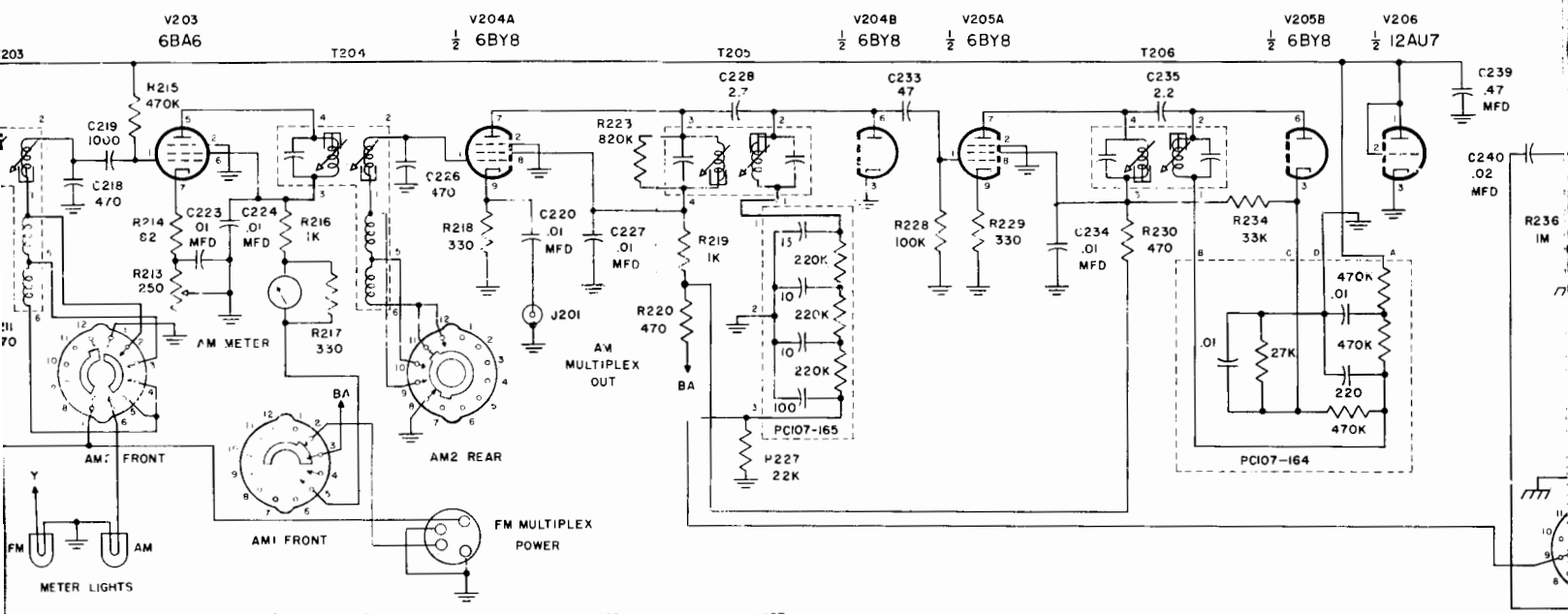
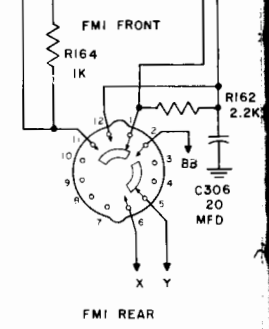


ALL SWITCHES SHOWN IN POSITION 1

AM SWITCH		MODE SEL SWITCH	
POSITION	FUNCTION	POSITION	FUNCTION
1	MULTIPLEX FM	1	POWER OFF
2	AM OUT	2	STEREO
3	NARROW	3	MON FM
4	MEDIUM 1	4	MON AM
5	MEDIUM 2		
6	BROAD		

FM SWITCH	
POSITION	FUNCTION
1	FM OUT
2	MUTE IN
3	MUTE OUT

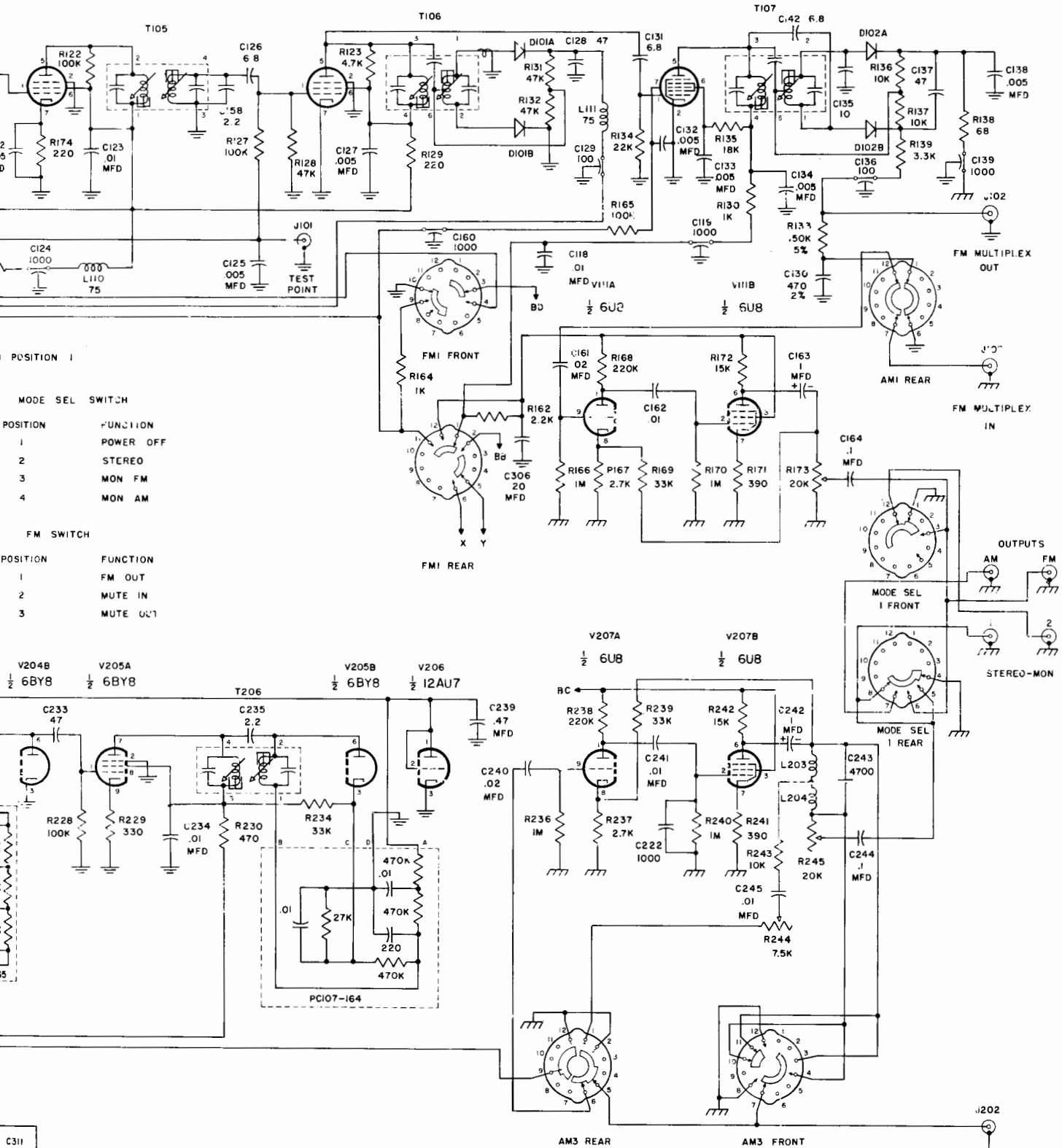


CHASSIS GROUND AM IF 455 KC
 AUDIO GROUND FM IF 10.7 MC
 ALL RESISTORS 1/2 WATT UNLESS OTHERWISE SPECIFIED
 ALL CAPACITORS IN MMFD UNLESS OTHERWISE SPECIFIED
 ALL INDUCTORS IN MICRO H UNLESS OTHERWISE SPECIFIED

VI05
6AU6

VI06
6AU6

VI07
6CS6



- POSITION 1
- MODE SEL SWITCH
- | POSITION | FUNCTION |
|----------|-----------|
| 1 | POWER OFF |
| 2 | STEREO |
| 3 | MON FM |
| 4 | MON AM |
- FM SWITCH
- | POSITION | FUNCTION |
|----------|----------|
| 1 | FM OUT |
| 2 | MUTE IN |
| 3 | MUTE OUT |

V204B 6BY8
V205A 6BY8
V205B 6BY8
V206 12AU7

⊥ CHASSIS GROUND
 ⏏ AUDIO GROUND
 AM IF 455 KC
 FM IF 10.7 MC

ALL RESISTORS 1/2 WATT UNLESS OTHERWISE SPECIFIED
 ALL CAPACITORS IN MMFD UNLESS OTHERWISE SPECIFIED
 ALL INDUCTORS IN MICRO H UNLESS OTHERWISE SPECIFIED

McINTOSH LABORATORY INC.
 2 Chambers St. Binghamton, N.Y.

MR-66 SCHEMATIC

DRAWN BY BB	SCALE	MATERIAL
CHK'D	DATE 9-11-60	DRAWING NO.
TRACED	APP'D	SC107-110