

# DYNACO

**SUPER-FIDELITY OUTPUT TRANSFORMERS**

**FOR**

**UNEQUALLED**

**LISTENING**

**PLEASURE**



**DYNA COMPANY**

**DYNACO**

5142 MASTER STREET  
PHILADELPHIA 31, PA.

**DYNACO****SUPER-FIDELITY  
Output Transformers**

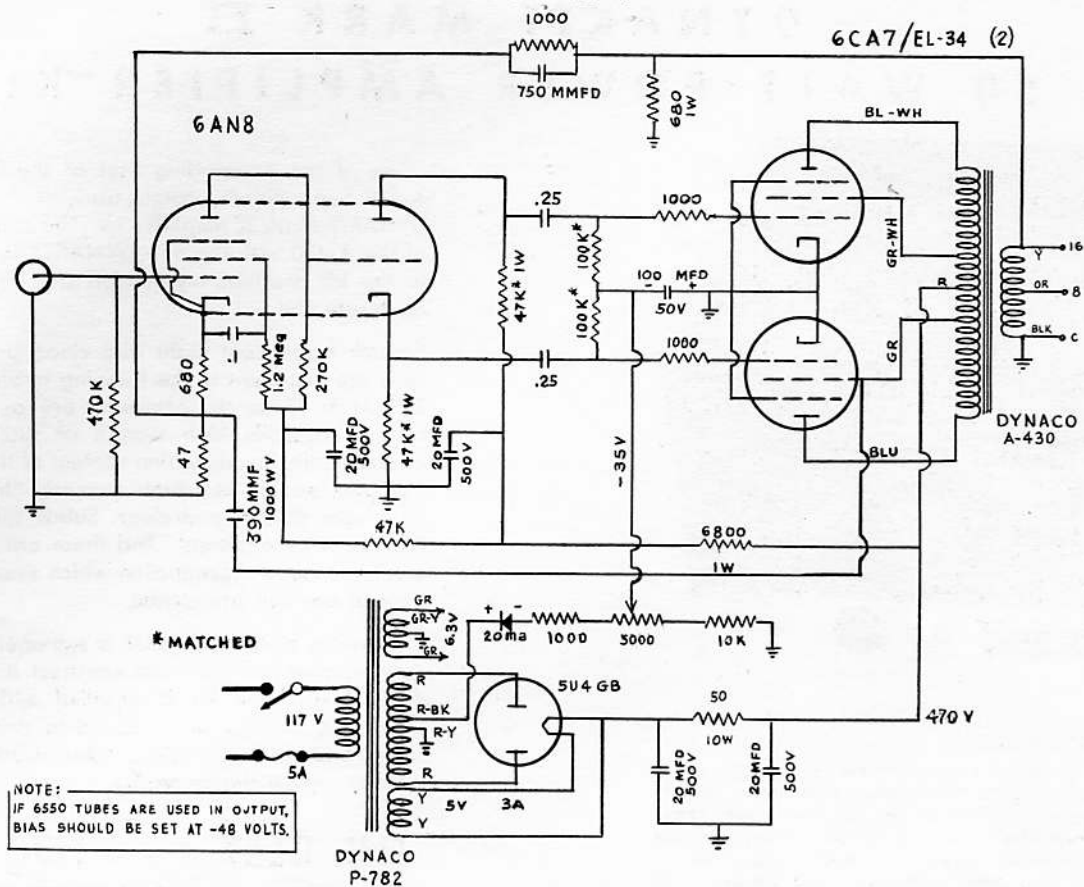
	A-410	A-420	A-430	A-440
Impedance ratio <sup>a</sup>	8000 ohms ct to 8, 16 sec	6600 ohms ct to 8,16 sec	4300 ohms ct to 8,16 sec	4300 ohms ct to 8, 16 sec
Undistorted power 30 cps to 15 kc 20 cps to 20 kc	20 watts 10 watts	50 watts 25 watts	100 watts 50 watts	200 watts 100 watts
Minimum frequency response	± 1 db 6 cps to 60 kc	± 1 db 6 cps to 60 kc	± 1 db 6 cps to 60 kc	± 1 db 4 cps to 60 kc
Size (inches)	2-7/8 x 3 x 3-3/4 high	3-3/4 x 3-1/2 x 4-1/2 high	4 x 4-5/8 x 5 high	5-7/8 x 4 3/4 x 6-5/8 high
Mounting centers (inches)	2 x 1-15/16	2-3/4 x 2-1/4	2-3/4 x 3-7/8	4 x 3-1/2
Weight	5 lbs.	7 lbs.	14 lbs.	24 lbs.
Application	6V6's, EL-84's, 6AQ5's	KT-66's 5881's 6CA7/EL34's (IN MULLARD CIRCUIT)	6550's 6CA7/EL34's pp par KT-66	6550's in powers up to 100 watts using tertiary winding for either cathode or screen feedback
Net Price (slightly higher in the West)	\$14.95	\$19.95	\$29.95	\$39.95

<sup>a</sup>All units have taps on primary windings except A-440 which has tightly coupled tertiary winding.

All units are furnished in heavy gauge steel cans with 12" color coded leads and steel mounting studs with mounting hardware.

Units are conservatively designed and can handle twice the dc current of the tube types recommended for use. Neither overloads nor any amount of unbalanced operation will harm the transformers. For optimum low distortion reproduction, the dc balance should be kept within 10%.

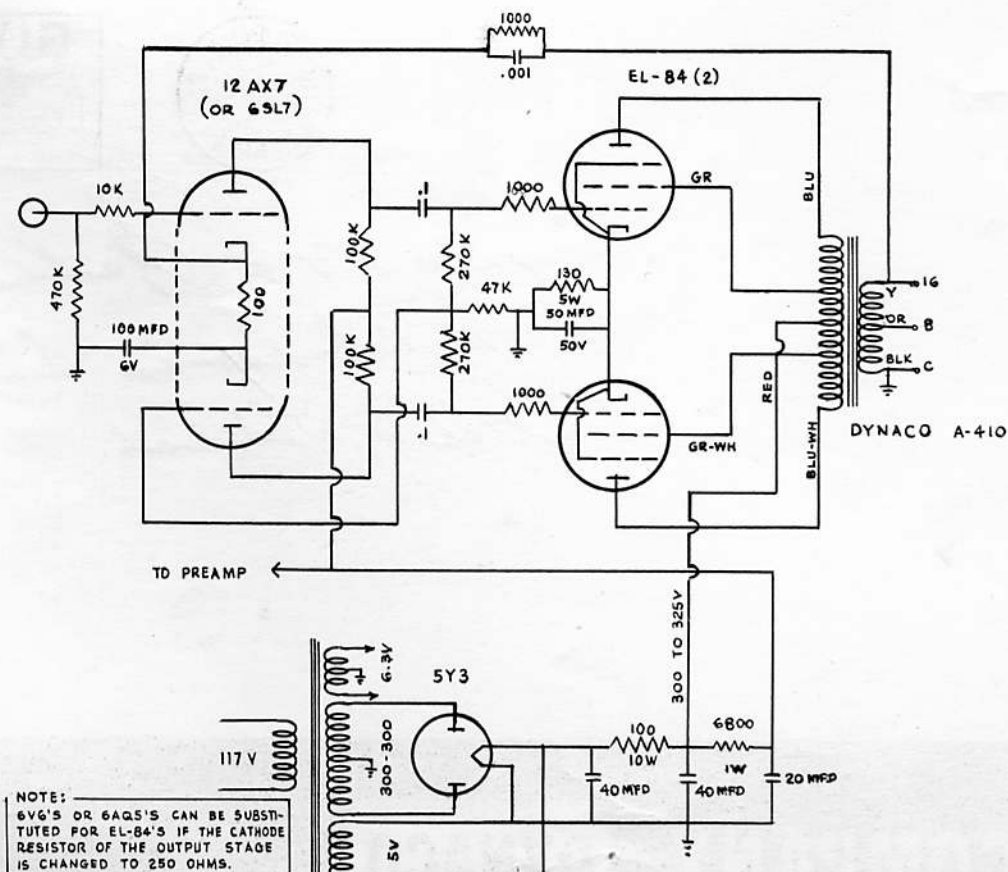
FIGURE 1



DYNACO CIRCUIT AS USED IN THE DYNAKIT

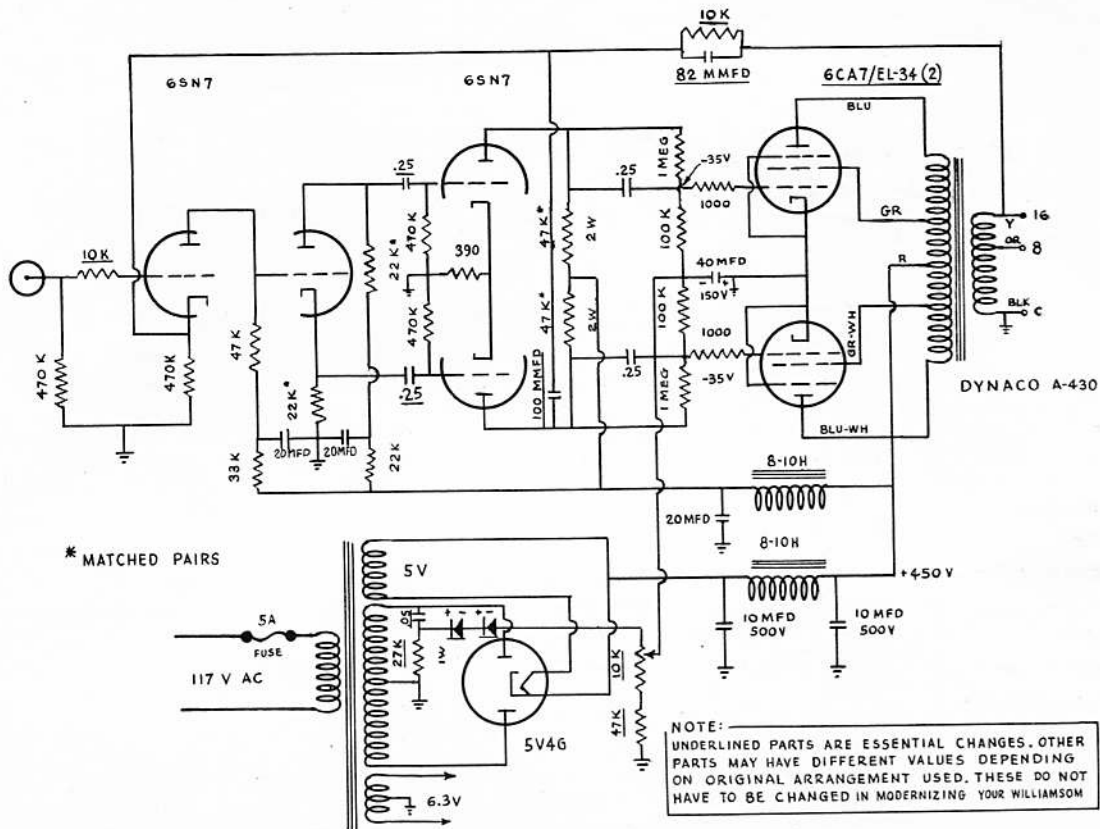
UNEQUALLED QUALITY AND AT THE SAME TIME SIMPLE AND EASILY REPRODUCIBLE

FIGURE 3

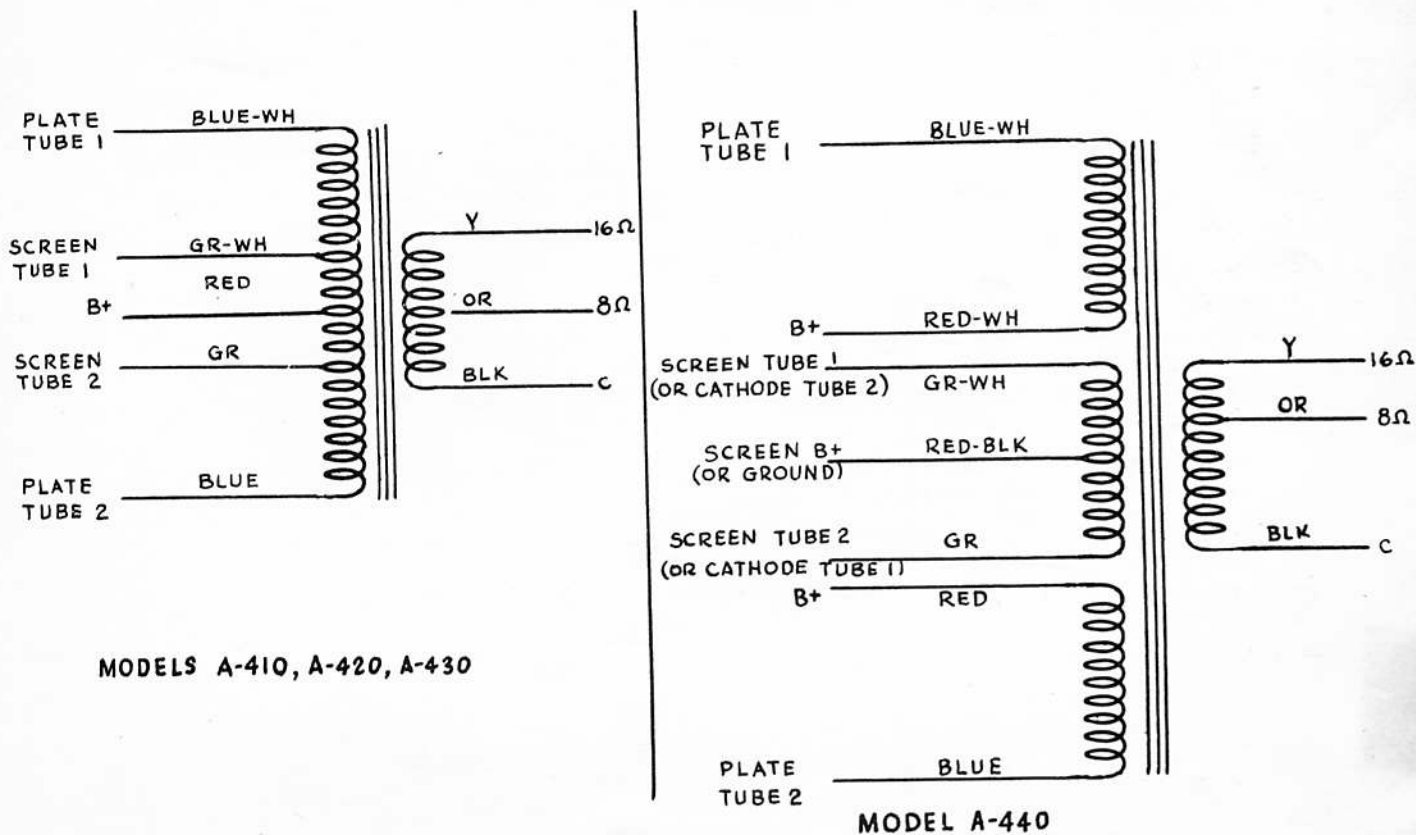


LOW POWER HIGH QUALITY CIRCUIT WHICH CAN BE USED TO IMPROVE THE QUALITY OF COMMERCIAL AMPLIFIERS

FIGURE 2



MODERNIZED VERSION OF WILLIAMSON TYPE AMPLIFIERS FOR STABLE, HIGH POWERED, HIGH FIDELITY REPRODUCTION



OUTPUT TRANSFORMER COLOR CODING



# DYNACO

## SUPER-FIDELITY

### Output Transformers

The new line of DYNACO output transformers incorporates the first basic advance in output transformer design since the introduction of interleaved windings. All DYNACO models feature para-coupled windings, a design by David Hafler on which patents are pending. This novel arrangement provides an accurately balanced coil with tight coupling between the various sections and a choice of parameters which furnish superior quality at moderate cost. The low distortion which results from the para-coupled design gives greater definition of musical detail—analogueous to the way in which complex coupling of lens elements can provide greater resolution of photographic detail.

The basic aim in the design of DYNACO transformers was to provide the finest possible performance under actual audio operating conditions as well as under steady state laboratory test conditions. This goal was achieved by building into the transformers a large margin of performance capabilities, over that normally expected in an output transformer. One result of this policy is that the design is not critical on tube balance, and circuits can be simplified and maintenance minimized by omission of components which are used solely for the purpose of balancing currents in the output transformer.

Recognition of the important fact that output transformers are intended to operate with loudspeaker loads rather than resistive loads alone led to design features which preserve the quality of performance even when the load impedance shifts such as happens at the ends of the audio spectrum with loudspeaker loads. The substantial reserve of power handling capability which is built into every DYNACO Super-Fidelity output transformer permits full *undistorted* power transmission at frequency extremes. Most better grade transformers can deliver a reasonable amount of power in the middle of the audio band. Unfortunately however, in most units the distortion at high levels increase sharply at the ends of the band. This is not true for DYNACO transformers since the para-coupled arrangement reduces middle and high frequency distortion, while a massive core of thin gauge grain oriented steel provides distortionless transmission of high level, low frequency signal components.

Modern high fidelity amplifier circuits incorporate substantial proportions of negative feedback, primarily to reduce distortion to extremely low levels. However, there is a penalty which is incurred in the use of large amounts of feedback—problems of instability are introduced, and a large part of these problems are due to the detrimental phase characteristics of the output transformer used. Amplifiers which do not have sufficient margin of stability under feedback conditions tend to get "bloopy" and muddy at low frequencies and harsh and strident at high frequencies. The remedy requires close control of the amplifier and transformer phase characteristics even at frequencies far removed from the audio band.

Advanced pulse techniques have been incorporated into the design and production of DYNACO Super-Fidelity transformers to make the phase characteristics suitable for amplifiers with high proportions of feedback. The gain in margin of stability which accrues from this design

technique makes an audible improvement in listening quality. The best test for inherent stability under feedback conditions is the use of the square wave test—both on the transformer alone and on the complete amplifier with *loudspeaker load*. The superiority of DYNACO transformers is readily confirmed in this square wave test by noting the straight sides and flat top of the waveform and the absence of ripples and spikes, even at high frequencies.

DYNACO Super-Fidelity transformers are built to give consistent, long lasting performance. Such features as 3000 volt insulation, vacuum impregnation, high temperature potting compound, and rigorous production testing protect the performance obtained by unique design and precision winding. The design, the materials, and the fabrication are the finest available; and they provide the finest performance.

#### CIRCUITS FOR DYNACO TRANSFORMERS

The high performance capabilities of DYNACO Super-Fidelity transformers will improve any circuit in which these transformers are used. As a general rule they can be inserted in any high quality circuit configuration including "Williamson," "ultra linear," "multi-loop," or any other with gratifying improvement in amplifier stability and distortion characteristics. However, the benefits available from a given transformer are bounded by the circuit in which it is used. Therefore, we recommend some specific circuit arrangements which have been carefully designed and tested to insure maximum user satisfaction.

The circuits shown are suggested for "those who roll their own," either in complete amplifier construction or in modernization and conversion of older equipment or moderate-fidelity commercial equipment.

The DYNACO circuit, as used in the DYNAKIT Mark II, was designed to match the outstanding characteristics of the A-430 transformer. The simplicity, stability, and quality of this circuit are unequalled by any regardless of complexity or cost.

The thousands of people who have Williamson type amplifiers, in any of the popular versions, can now modernize them to improve the amplifier stability characteristics and to increase their power output to over 50 watts as shown in figure 2. This modernization and conversion, using the DYNACO A-430 transformer, makes an improvement in quality which is audible even to the untrained ear since there is greater cleanliness and smoothness of the sound.

Figure 3 illustrates a low power circuit (12 watts at less than 1% IM distortion) which is similar to that used in many of the medium priced commercial amplifiers. Either EL-84's or tubes of the 6V6 and 6AQ5 type can be used in this configuration with the A-410 transformer. The use of this super-fidelity transformer in commercial grade equipment makes a substantial improvement in transient response as well as drastically lowering the distortion. Most commercial amplifiers can be greatly improved merely by direct substitution of the A-410 for amplifiers of the 6V6 type or the A-420 for amplifiers of the 5881, 6L6, and KT-66 type without any other circuit changes.

The 100 watt A-440 transformer is designed specifically to be used in applications requiring a tightly coupled tertiary winding for screen feedback, cathode loading, or for balanced feedback to earlier stages. With 6550 tubes using 600 plate volts, 350 screen volts, and 35 volts of fixed bias, it is practical to get 100 watts of clean output with superb listening quality. The output stage can be readily driven from Williamson-type circuits of the modernized type.

# DYNAKIT MARK II

## 50 WATT POWER AMPLIFIER KIT



### SPECIFICATIONS

50 watts continuous power handling  $\pm .1$  db 20 cps to 20 kc. Less than 1% IM distortion at 50 watts, virtually unmeasurable at lower levels. 100 watt peak power capability to handle the most complex dynamic musical content. Frequency response  $\pm .5$  db 6 cps to 60 kc. Excellent square wave transmission from 20 cps to 20 kc. Size only 9" by 9" by 6-5/8" high.

One of the outstanding uses of the DYNACO A-430 Super-Fidelity output transformer is in the DYNAKIT Mark II amplifier kit. The combination of the A-430 with the new DYNACO circuit used in the kit provides unequalled performance at moderate cost.

Smooth translucent highs and clean unmuddied bass are apparent in the listening quality of the DYNAKIT. These characteristics are attributable to the unusually high margin of stability and exceptionally low distortion content of this circuit. Complex musical structures formerly "lost in the mud" are distinct and clear. Subtle nuances of tone become apparent. And these are improvements in sound reproduction which even the untrained ear can appreciate.

The wiring of the DYNAKIT is extremely simple, so easy that a novice can construct it in about three hours. The kit is supplied with a pre-assembled printed circuit board to simplify wiring and to assure complete reproducibility of the circuit's superb characteristics.

**THE BEST - - - FOR LESS**  
**ONLY \$69.75**



*Lloyd's TV & Radio  
1407 Donovan St.  
Seattle 8, Wash.*

**DYNA COMPANY**

**DYNACO**

5142 MASTER STREET  
PHILADELPHIA 31, PA.