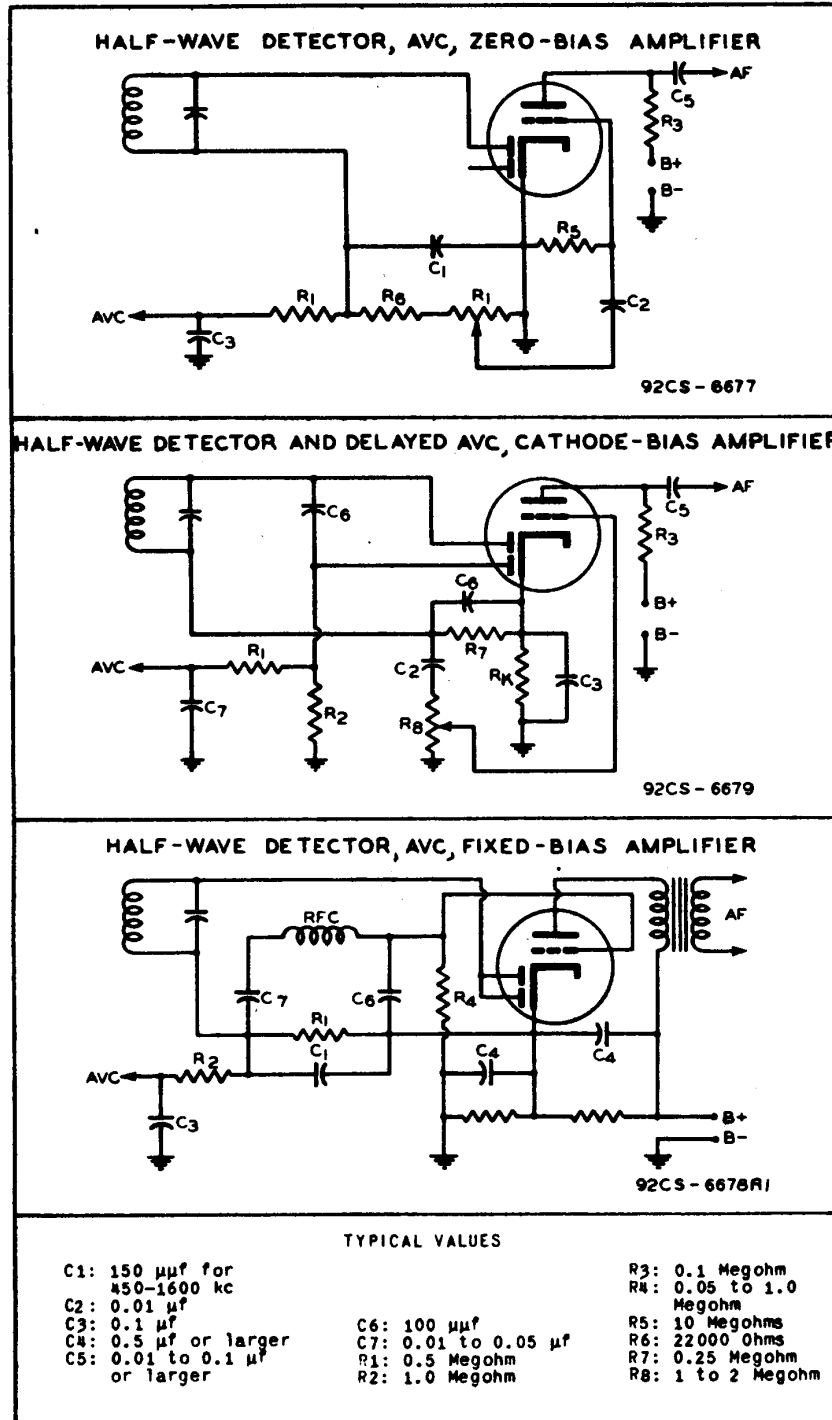




DIODE CONSIDERATIONS TYPICAL DIODE-TRIODE CIRCUITS



DEC. 30, 1947

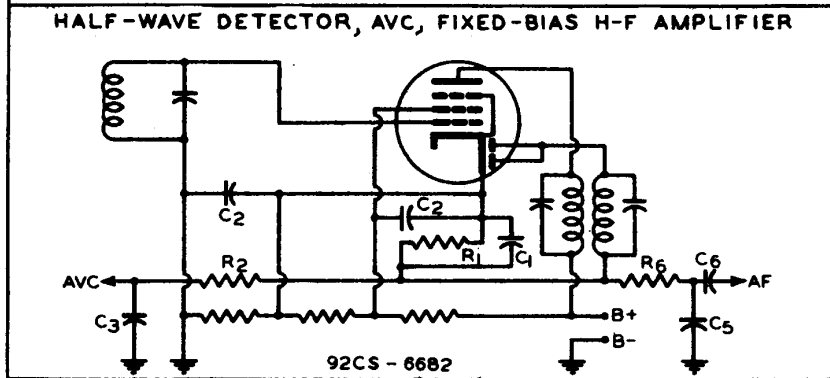
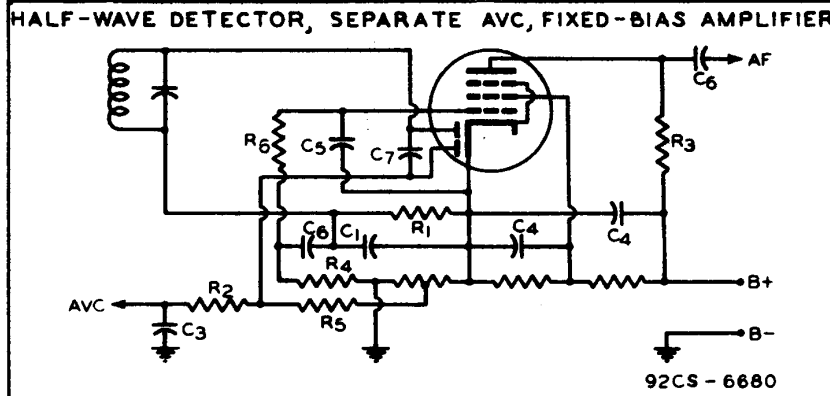
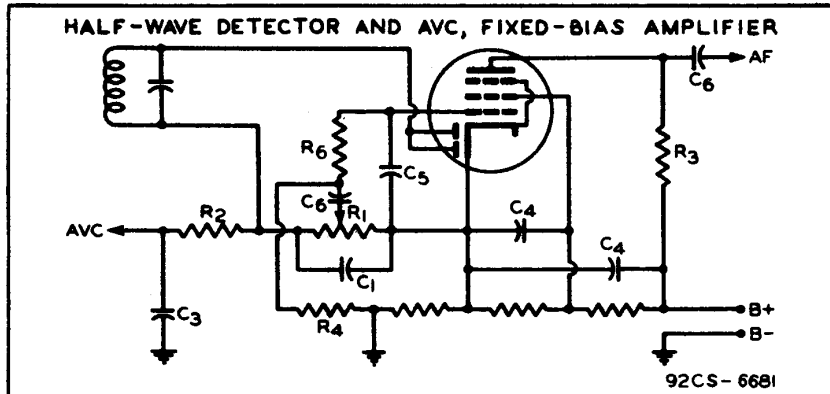
TUBE DEPARTMENT
RADIO CORPORATION OF AMERICA, HARRISON, NEW JERSEY

DIODE
CIRCUITS



DIODE CONSIDERATIONS

TYPICAL DIODE-PENTODE CIRCUITS



TYPICAL VALUES

C1: 150 μf for 450-1600 kc	R1: 0.5 to 1.0 Megohm
C2, C3: 0.1 μf	R2: 1.0 to 1.5 Megohms
C4: 0.5 μf or larger	R3: 0.1 to 0.2 Megohm
C5: 100 μf or smaller	R4: 0.5 to 1.0 Megohm
C6: 0.01 to 0.1 μf	R5: 1.0 Megohm
C7: 500 to 1000 μf	R6: 0.1 to 0.2 Megohm

Devices and arrangements shown or described herein may use patents of RCA or others. Information contained herein is furnished without responsibility by RCA for its use and without prejudice to RCA's patent rights.

DEC. 30, 1947

TUBE DEPARTMENT
RADIO CORPORATION OF AMERICA, HARRISON, NEW JERSEY

DIODE
CIRCUITS